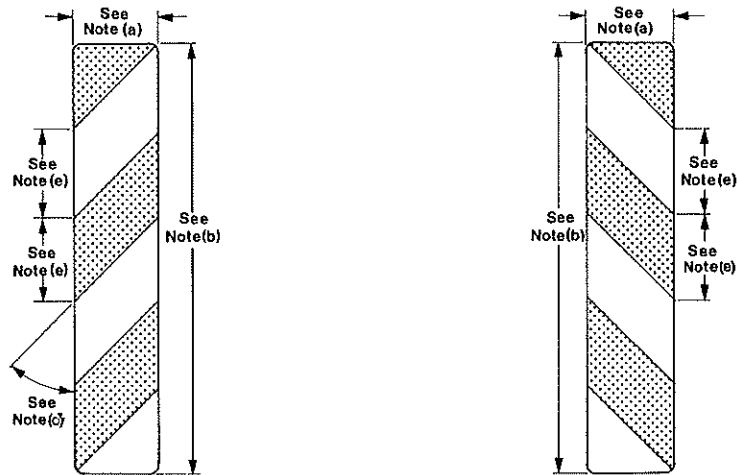


(Regulation 3)

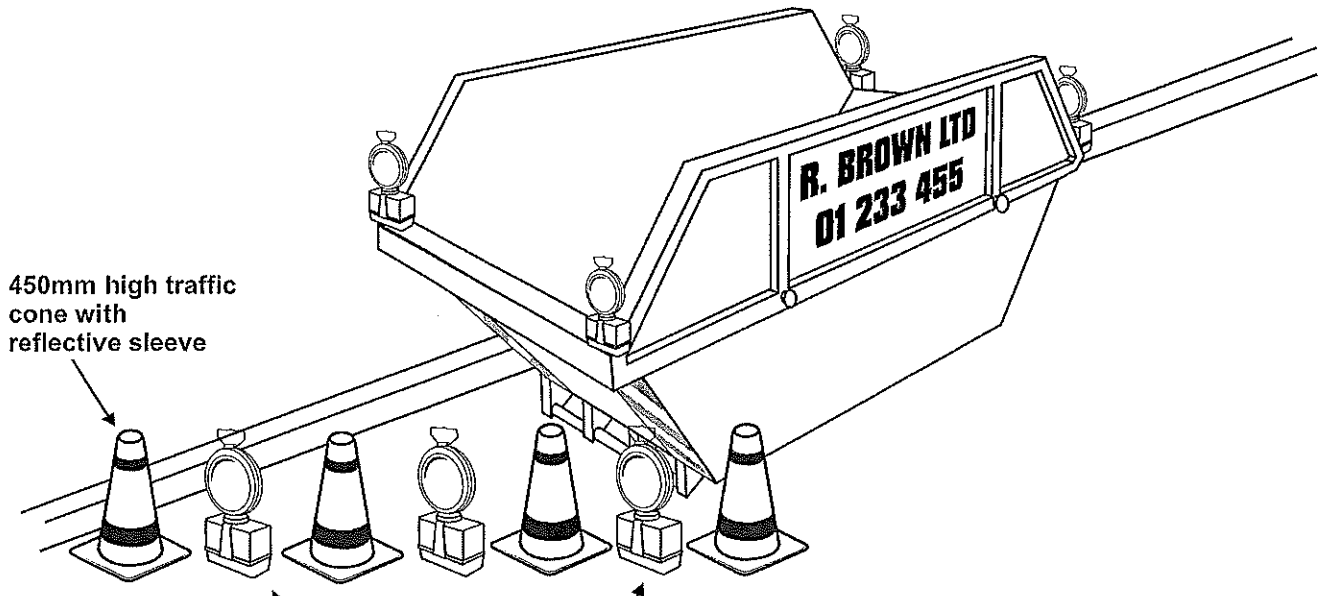
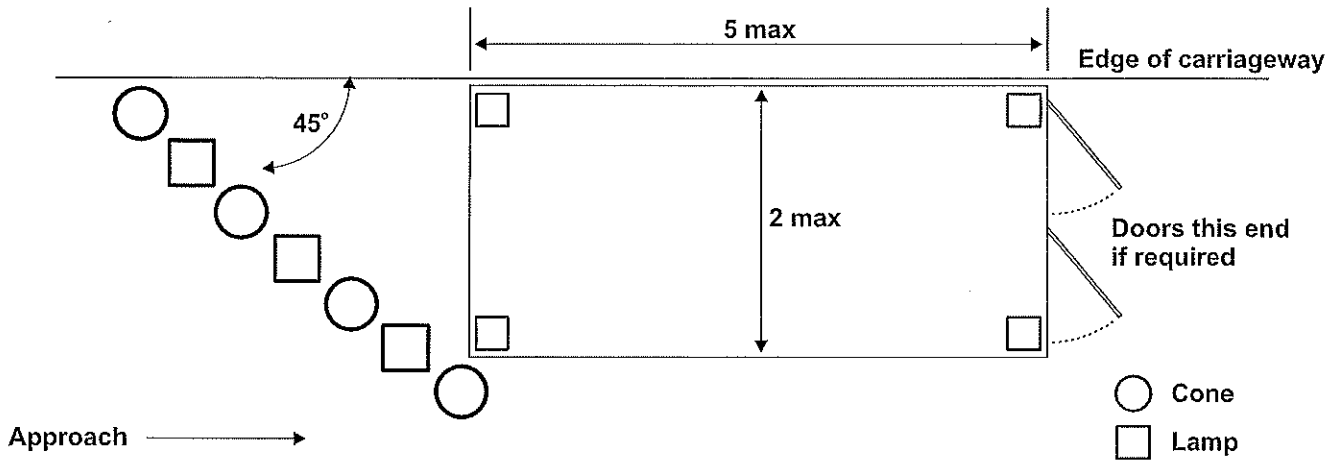
SCHEDULE 1

Specifications about design



Notes:

- (a) The width of each half of the marking shall be not less than 140 millimetres nor more than 280 millimetres.
- (b) The length of each half of the marking shall be not less than 350 millimetres nor more than 700 millimetres.
- (c) The angle of each stripe shall be not less than 40 degrees to the vertical nor more than 50 degrees to the vertical.
- (d) Each half of the marking shall have a minimum area of 980 square centimetres.
- (e) The breadth of each stripe shall be not less than 133 millimetres nor more than 147 millimetres.



Note: These road lamps are still required in streets with street lighting

Note: Dimensions are in metres